

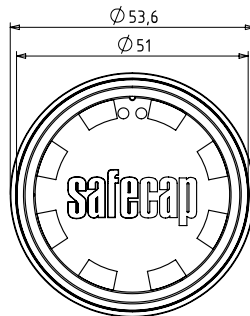
SC30 single channel



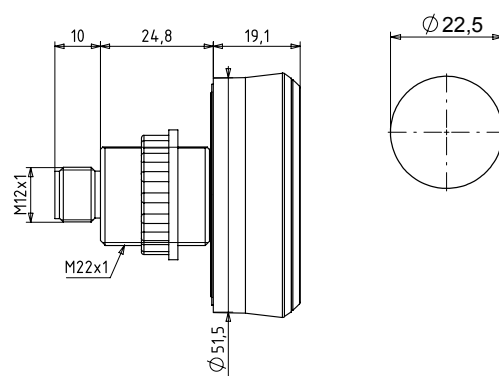
Product image



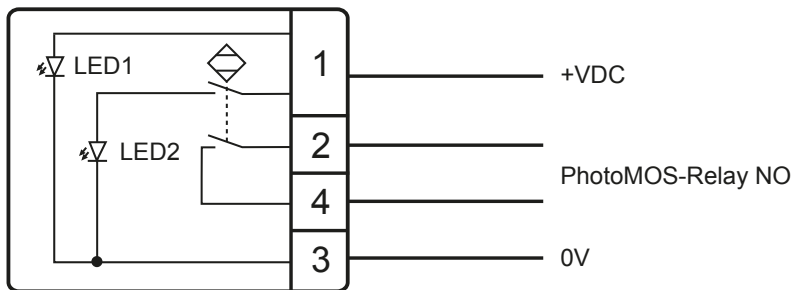
Dimensional drawing



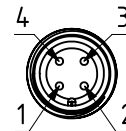
Drilling pattern



Connection plan



Plug M12, 4-pin



## SC30 single channel



## Technical specifications SC30 single channel

Operating voltage	≡ 24 V (19,2...28,8V)
Contact load	100 mA (70 mA at 75 °C (167 °F))
Output	PhotoMOS-Relay NO
Output pulse	Constant signal when actuated
LED 1	GreenLED
LED 2	YellowLED
Reverse polarity protection	Yes
Short circuit protection	Yes
Power consumption	Max. 20 mA at 24 V
Operating temperature	-25°C (-13°F) ... +75 °C (167 °F)
Degree of protection IP	Frontside IP68, Connector IP67
Type of actuation	Capacitive
Actuation force	No actuation force required
Rated insulation voltage	32 V
Switch-off-delay	Max. 50 ms
Switch-on-delay	Max. 30 ms
MTTF <sub>d</sub>	100 years